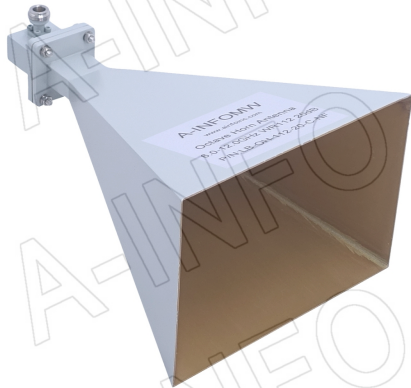


For reference only. See data sheet for the detailed specifications.

Technical Specification

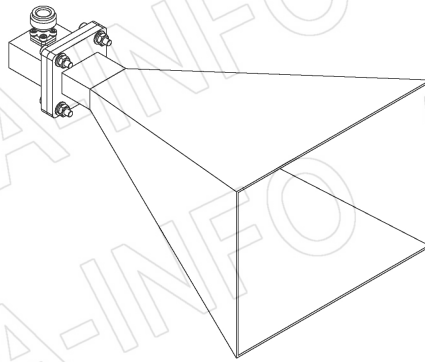
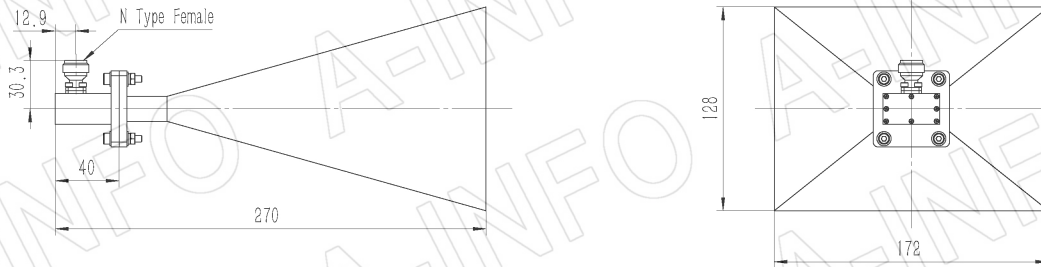


Frequency Range(GHz)	6.0 – 12.0
Gain(dBi)	20 Typ.
Polarization	Linear
3dB Beamwidth(deg)	E Plane: 20 - 11
	H Plane: 21 - 14
Cross Pol. Isolation(dB)	35 Typ.
VSWR	1.5:1 Typ.
Connector	N-Female or SMA-Female or TNC-Female or 7mm or 3.5mm-Female
Power Handling(W CW)	N-Female: 150 Max.
	SMA-Female: 50 Max.
	TNC-Female: 150 Max.
	7mm: 150 Max.
	3.5mm-Female: 50 Max.
Material	Al
Finish	Chemical Conversion Coating, Gray Paint
Size(mm)	172 x 128 x 270
Net Weight(Kg)	0.40 Around

Outline Drawing (Size: mm)

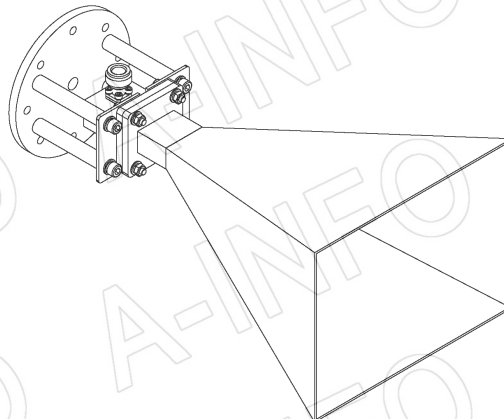
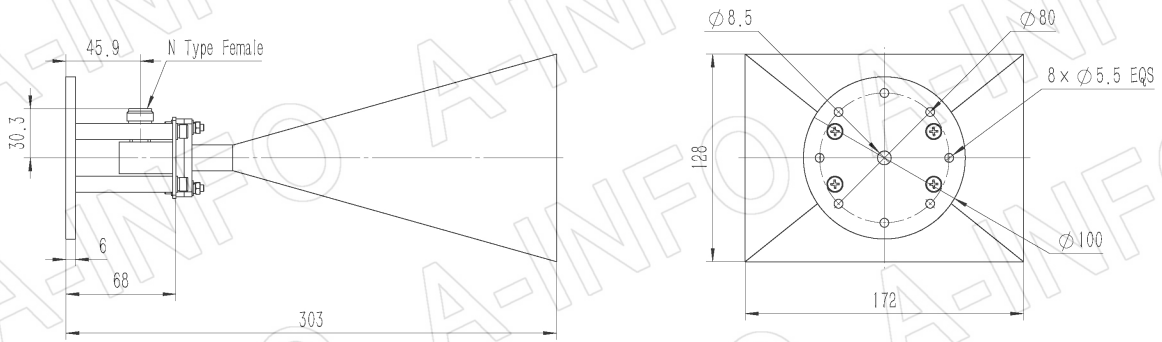
N-Female Output (P/N: LB-OH-112-20-C-NF)

For SMA-Female, TNC-Female, 7mm or 3.5mm-Female output outline drawing, please contact A-INFO.



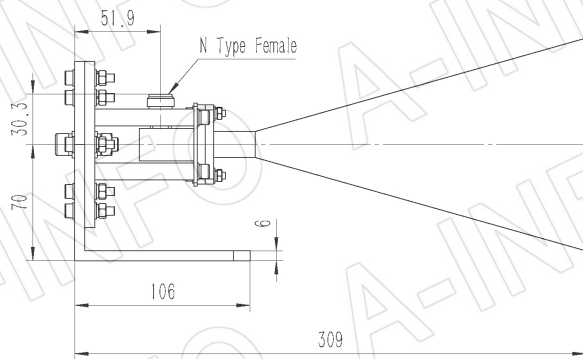
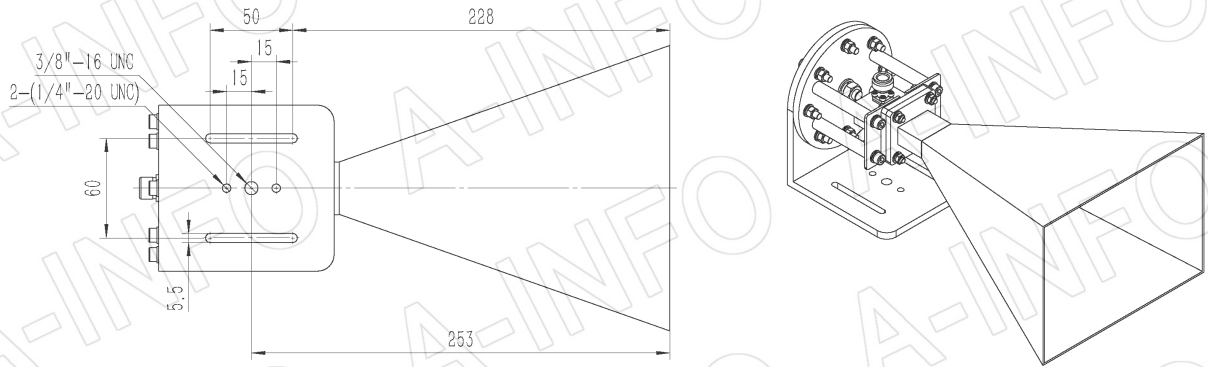
N-Female Output with Round Mounting Bracket (Option, P/N: LB-112-10-C-MB)

For SMA-Female, TNC-Female, 7mm or 3.5mm-Female output outline drawing, please contact A-INFO.



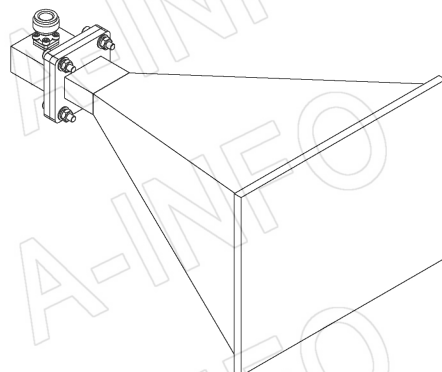
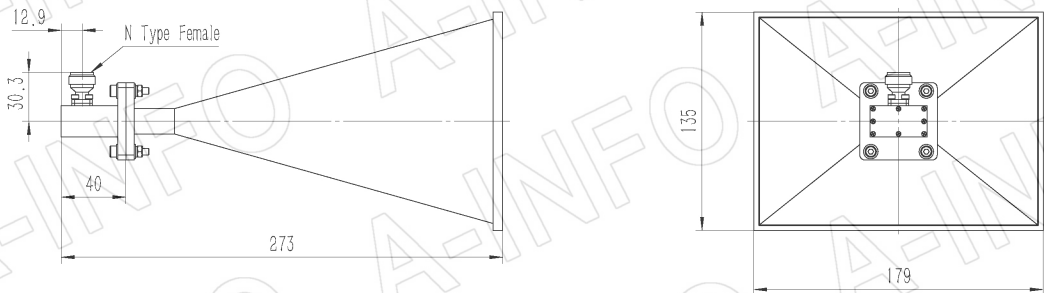
N-Female Output with L Type Mounting Bracket (Option, P/N:LB-112-10-C-MBL)

For SMA-Female, TNC-Female, 7mm or 3.5mm-Female output outline drawing, please contact A-INFO.



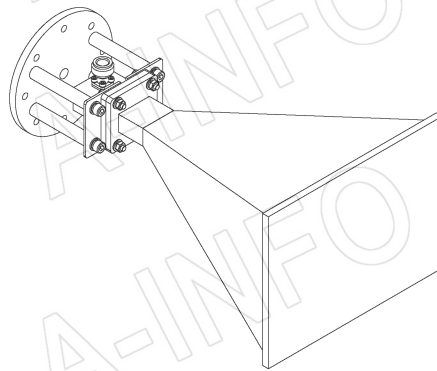
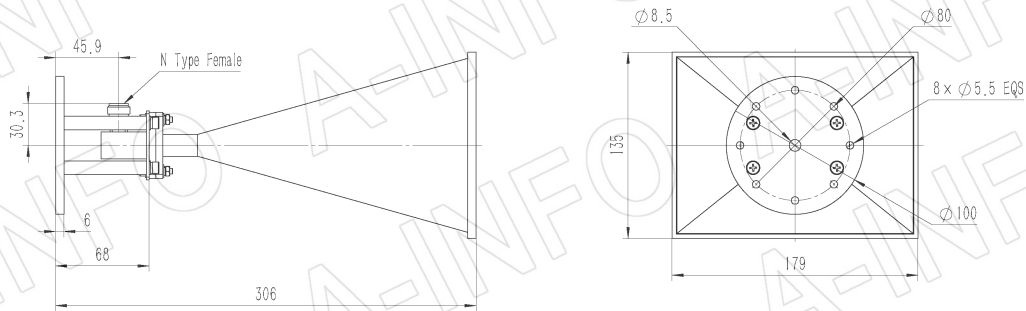
N-Female Output with Radome (Option, P/N: LB-OH-112-20-C-NFSP0, Outdoor Application)

For SMA-Female, TNC-Female, 7mm or 3.5mm-Female output outline drawing, please contact A-INFO.



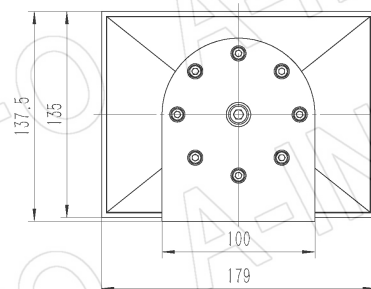
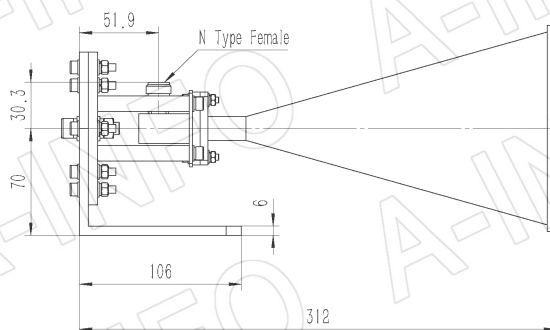
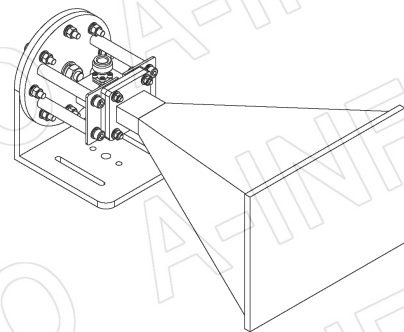
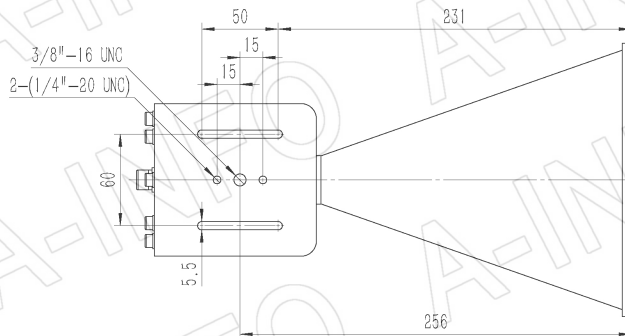
N-Female Output with Round Mounting Bracket & Radome (Option, P/N: LB-112-10-C-MB & LB-OH-112-20-C-NFSP0, Outdoor Application)

For SMA-Female, TNC-Female, 7mm or 3.5mm-Female output outline drawing, please contact A-INFO.



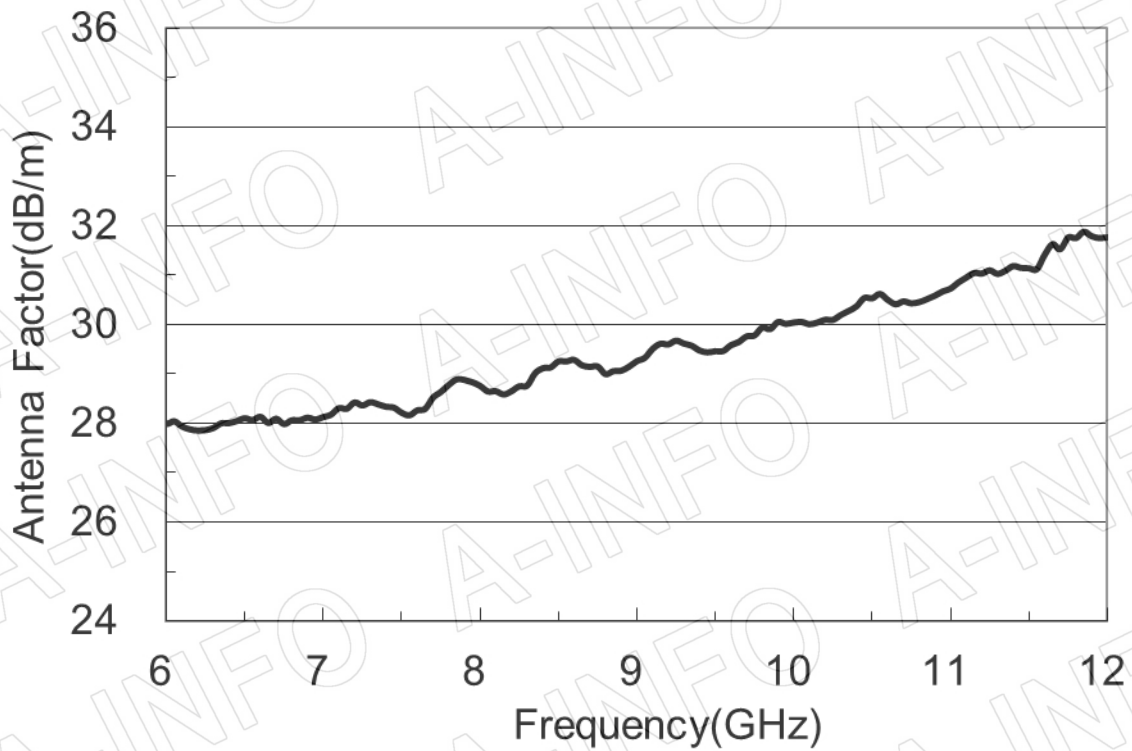
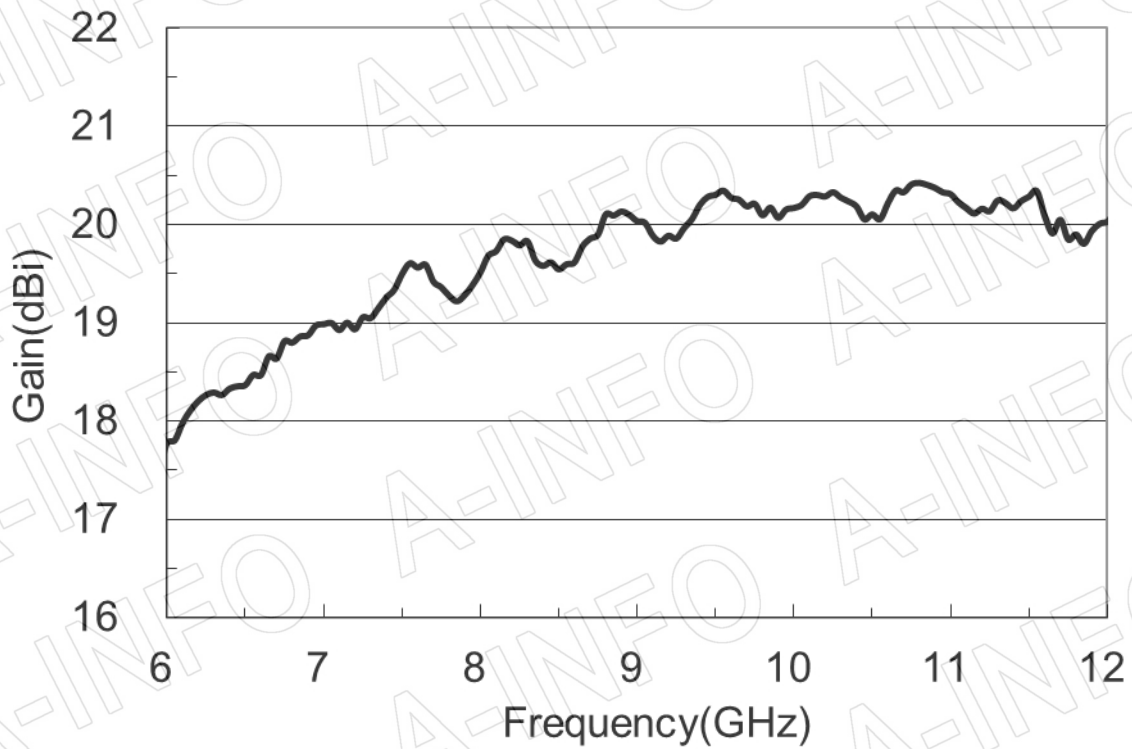
N-Female Output with L Type Mounting Bracket & Radome (Option, P/N: LB-112-10-C-MBL & LB-OH-112-20-C-NFSP0, Outdoor Application)

For SMA-Female, TNC-Female, 7mm or 3.5mm-Female output outline drawing, please contact A-INFO.

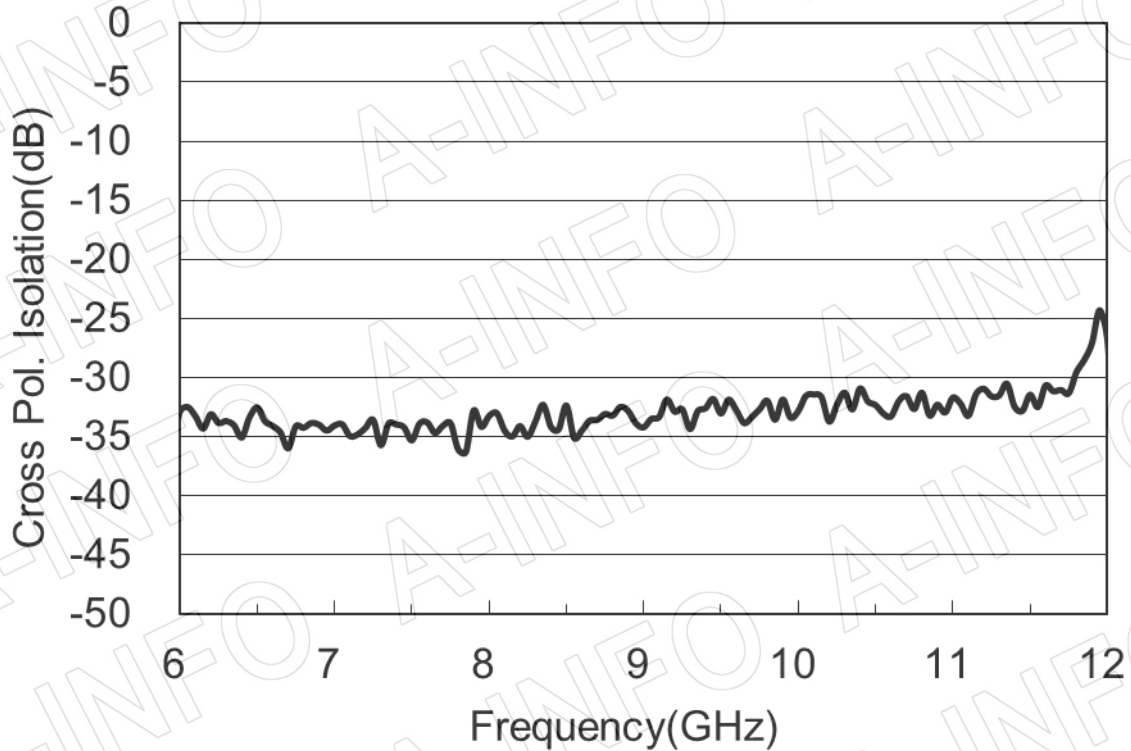


Test Results

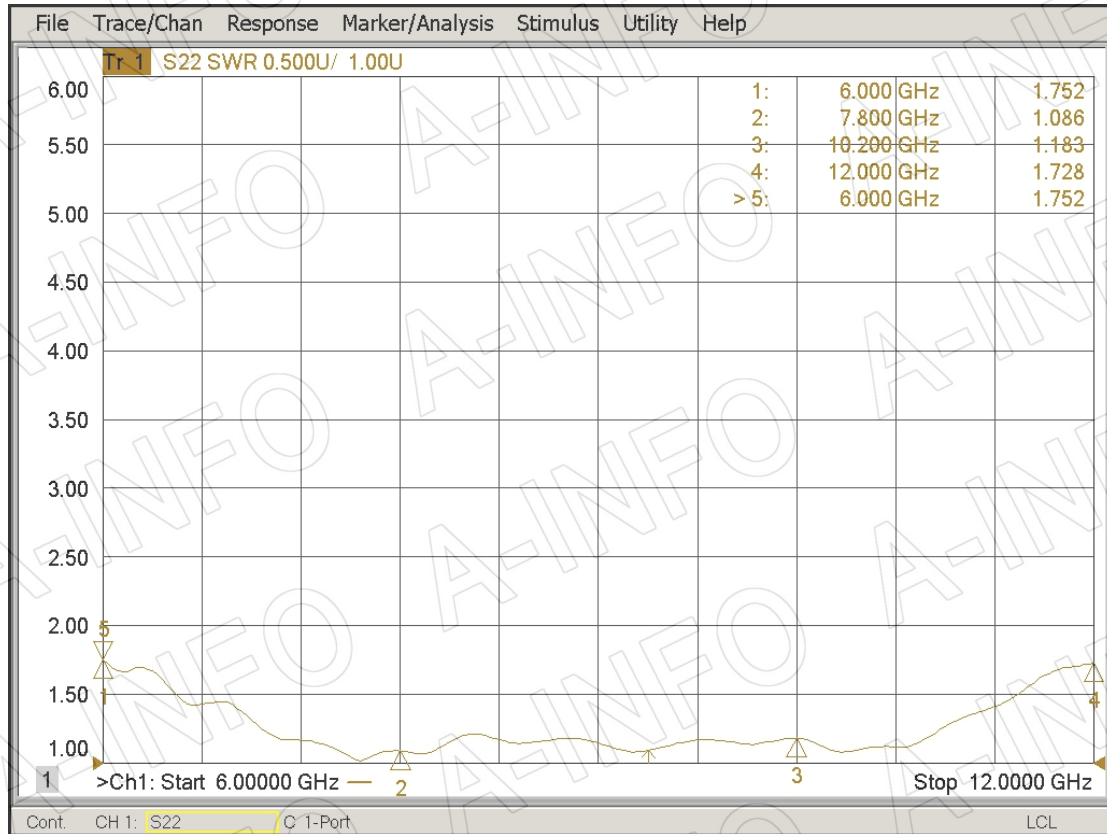
1. Gain & Antenna Factor



2. Cross Polarization Isolation



3. VSWR



4. Pattern

